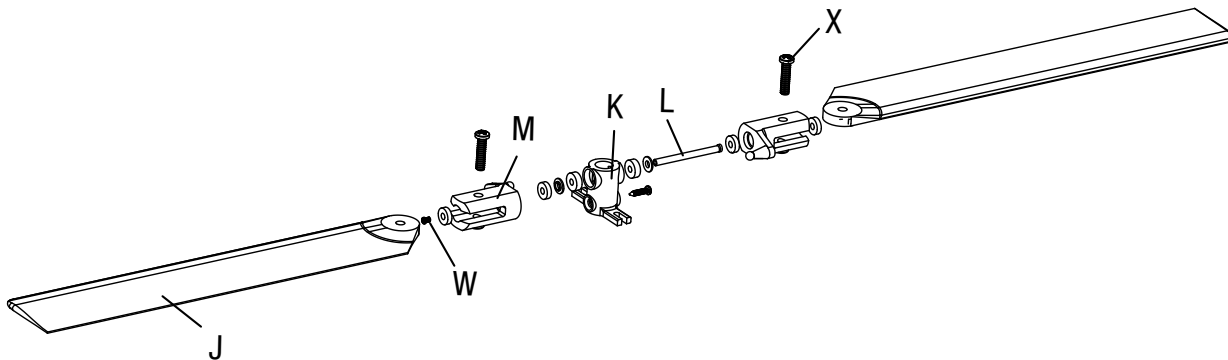


BLADE[®] mCP X

Supplemental Pre-Flight Checklist

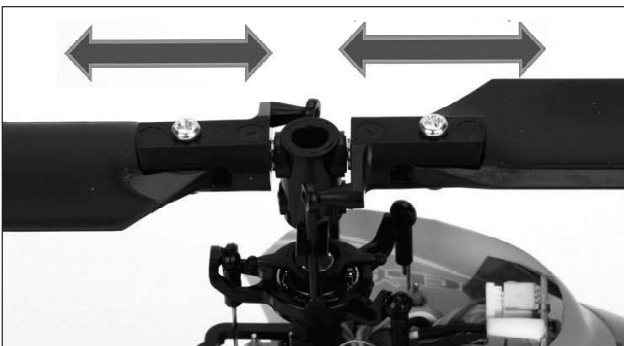
Your Blade mCP X is a high-performance collective pitch helicopter with a rotorhead that is much more complex than that of most of the ultra-micro helicopters you may have flown before. Unlike the rotorheads of most fixed pitch ultra-micro helis, the mCP X rotorhead has many more moving parts that require thorough inspection before every flight. Following the steps in this supplemental checklist will help you avoid unsafe flying conditions and keep your mCP X performing at its best.

This checklist does not replace the safety procedures listed in the manual, but should be performed in addition to them prior to every flight and after every crash.



Feathering spindle

1. Grip both Main Blade Grips (M).
2. Apply pressure to the Main Blade Grips laterally along the Feathering Spindle (L).



3. Check for lateral, side-to-side, movement between the Main Blade Grips (M) and the Main Rotor Hub (K).
 - If there is no movement, the feathering spindle bolt is secure.
 - If there is movement, continue to the following steps.

(Tools required: #00 slotted screwdriver, flat head screwdriver, and the included Phillips'screwdriver)

4. Remove the Main Blades (J) by unscrewing the Main Blade Bolts (X) using the Phillips screwdriver.
5. Use both the Phillips and slotted screwdrivers to tighten the Feathering Spindle Bolt (W).
6. Reinstall the Main Blades by threading the Main Blade Bolt into the Main Blade Grip using the Phillips screwdriver.

BLADE[®] mCPX

Main Gear

- 1) Check to see if the Main Gear (F) has slipped on the main shaft.
 - If it has slipped, press it back into position.

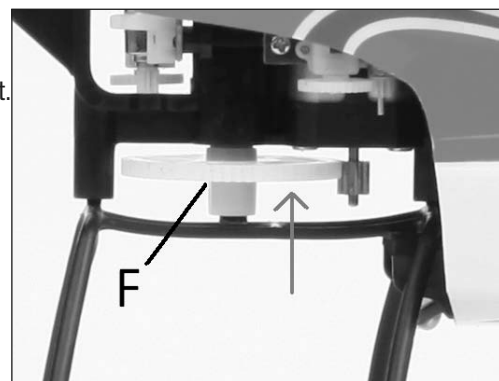
Tail

- 1) Check and make sure the tail prop (O) has not flattened.
 - If flattened, twist the rotor blade back into position or replace.
- 2) Make sure the Vertical Fin (Q) has not twisted into the tail prop.

Rotor Head

(Refer to illustration on previous page)

- 1) Check the feathering spindle to ensure it is not bent and the feathering spindle bolts are tight.
- 2) Check the Blades for cracks or chips.
 - If using the Fast Flight Main Blades, check the counterweight to ensure it is still in the blade.



Any Questions about this product should be directed to Horizon Hobby's Product Support department.

Horizon Hobby, Inc.
ATTN: Product Support
4105 Fieldstone Road
Champaign, IL 61822
Email: productsupport@horizonhobby.com
Support Phone: (877) 504-0233
Fax: (217) 355-1552

