

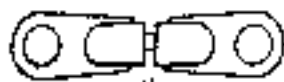
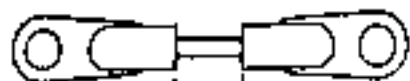
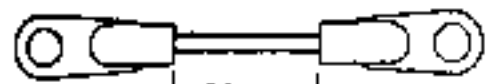


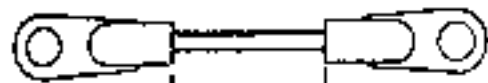
0135 ← 

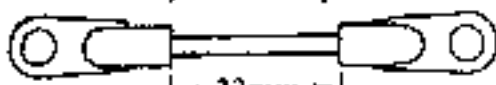
0133 ← 

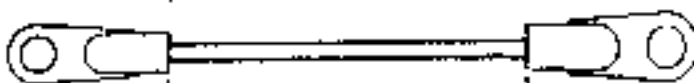
0313 
← 1mm

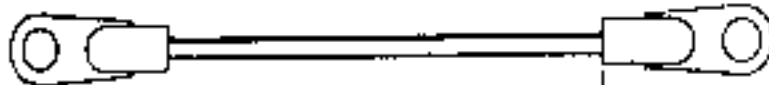
0337 
← 9mm

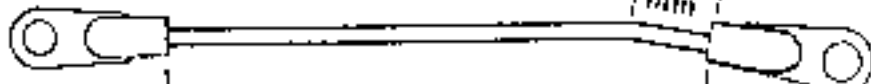
0369  *

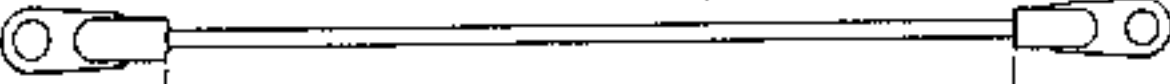
0227 
← 22mm

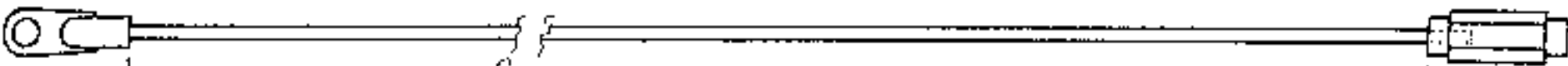
0249 
← 23mm

0367  *

0335  *

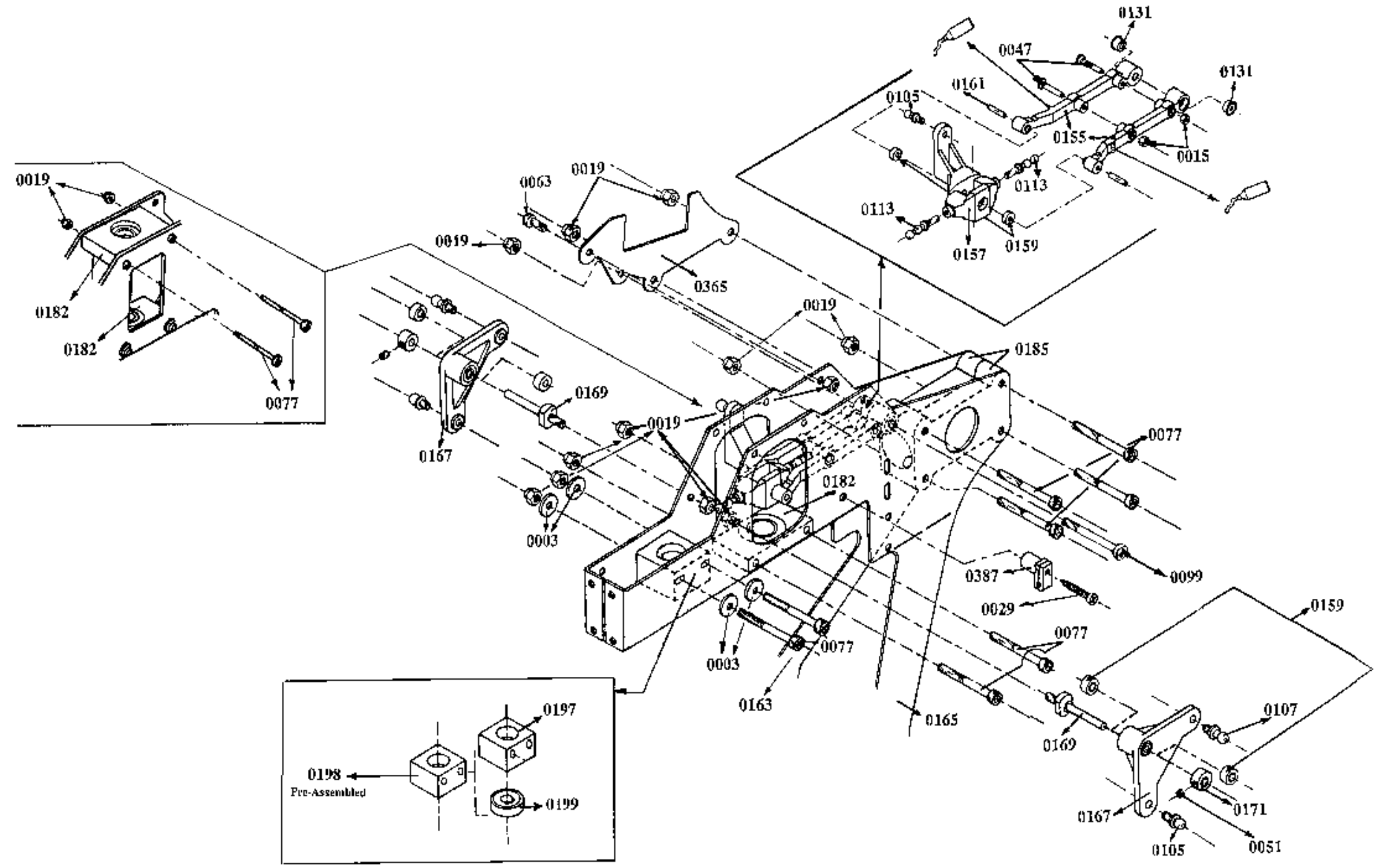
0371 
← 72mm

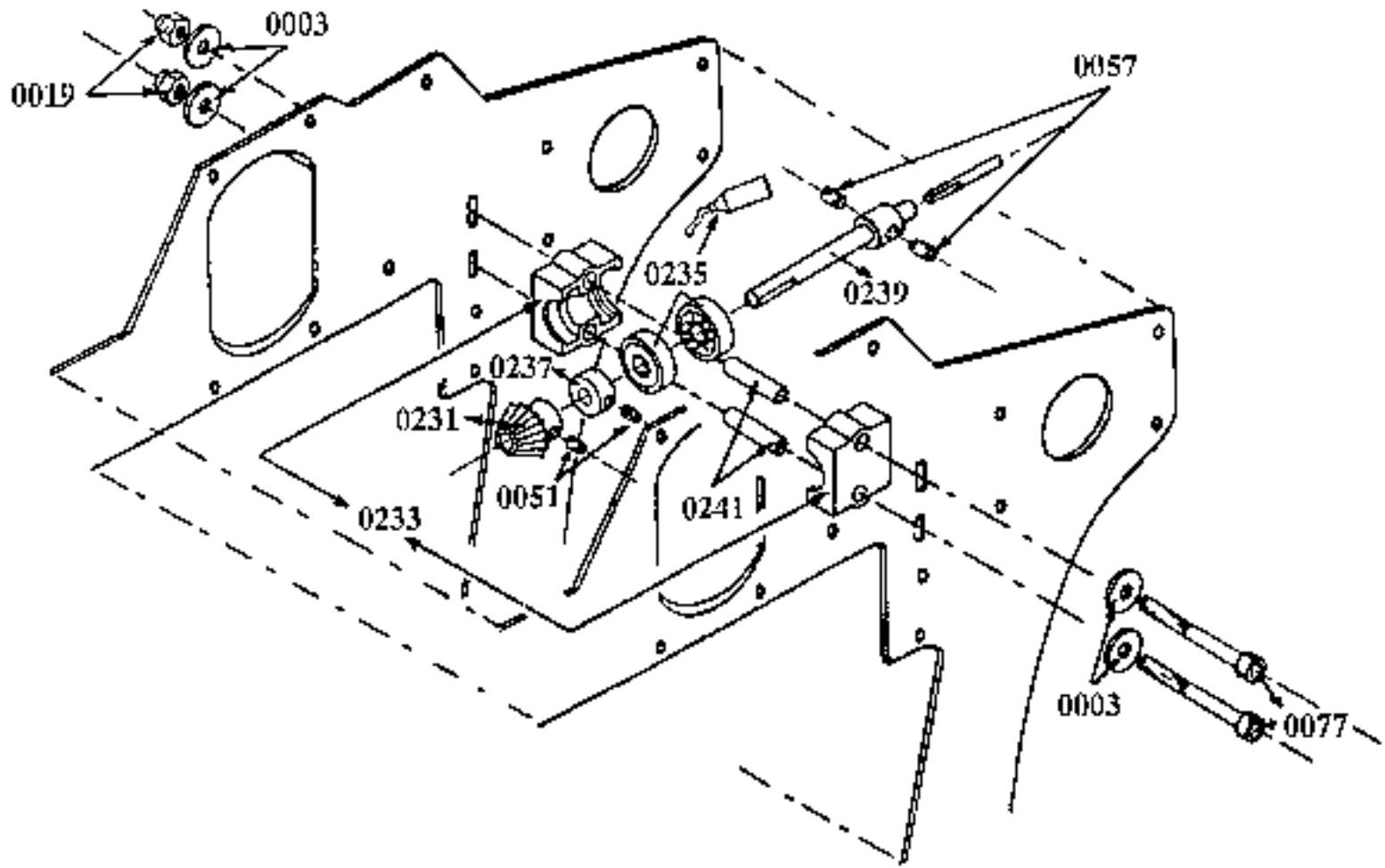
0373  *

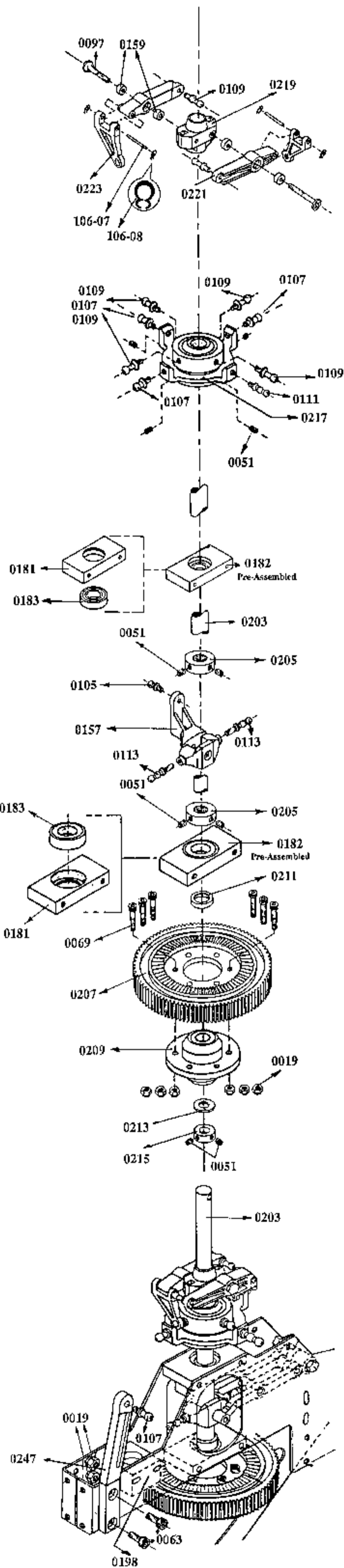
0377  *

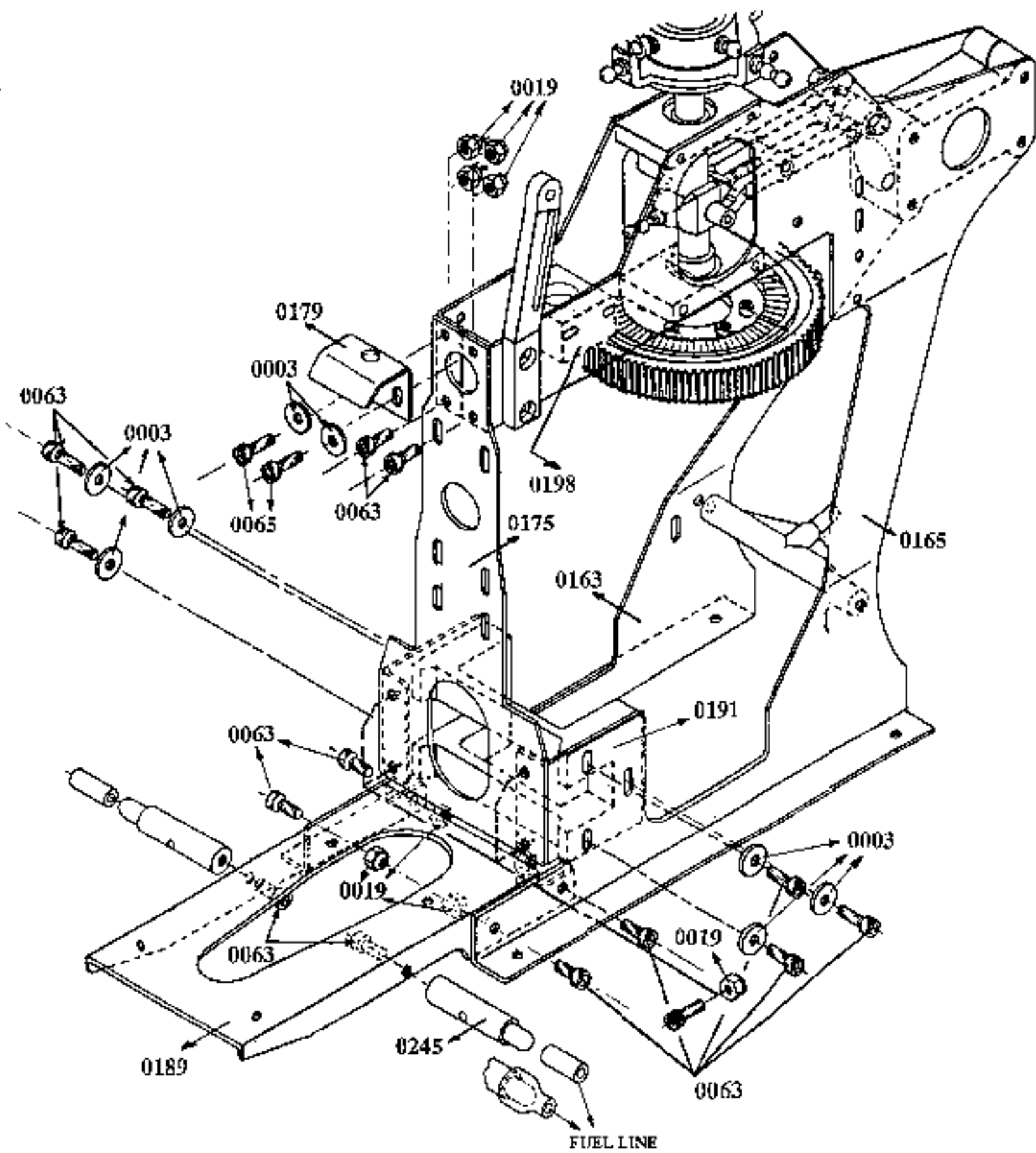
0375  *

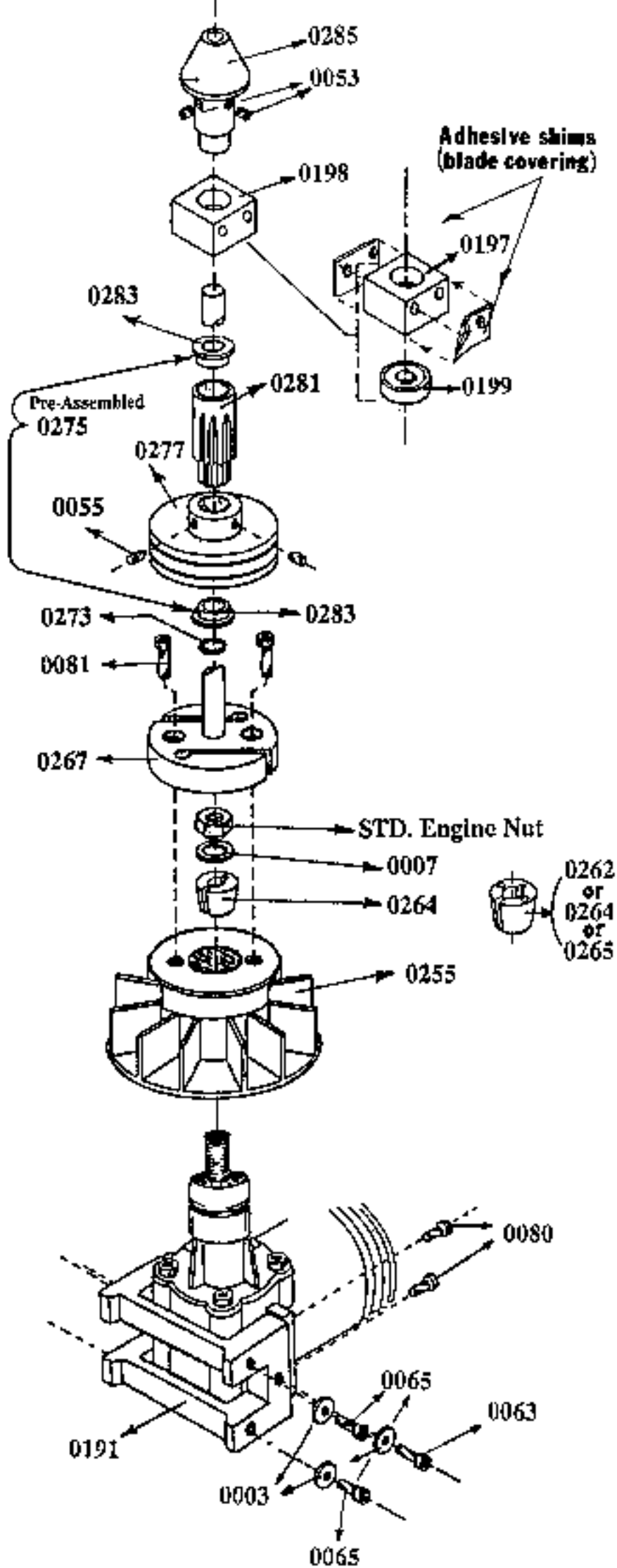
* Variable with servo choice and position.

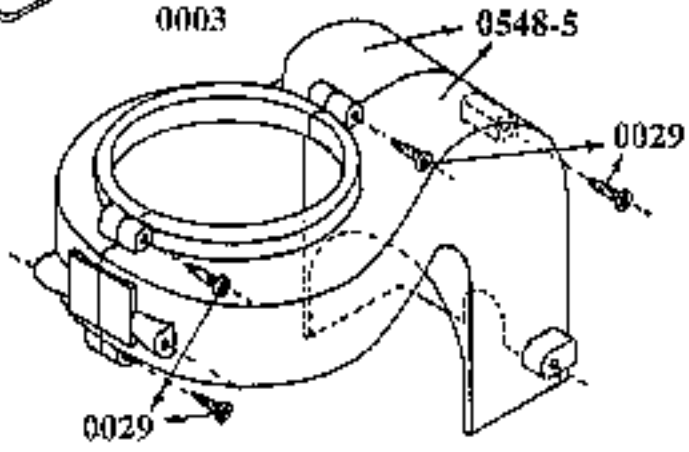
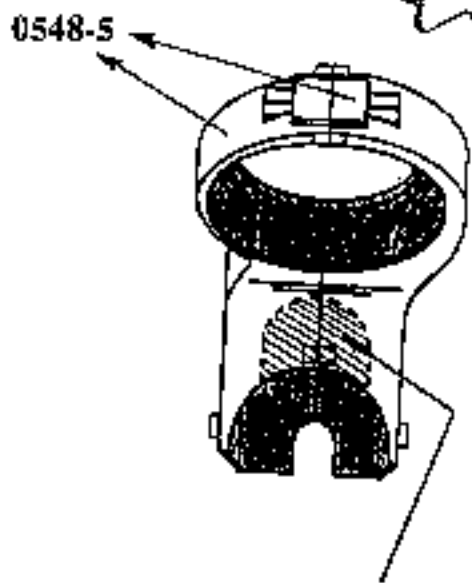
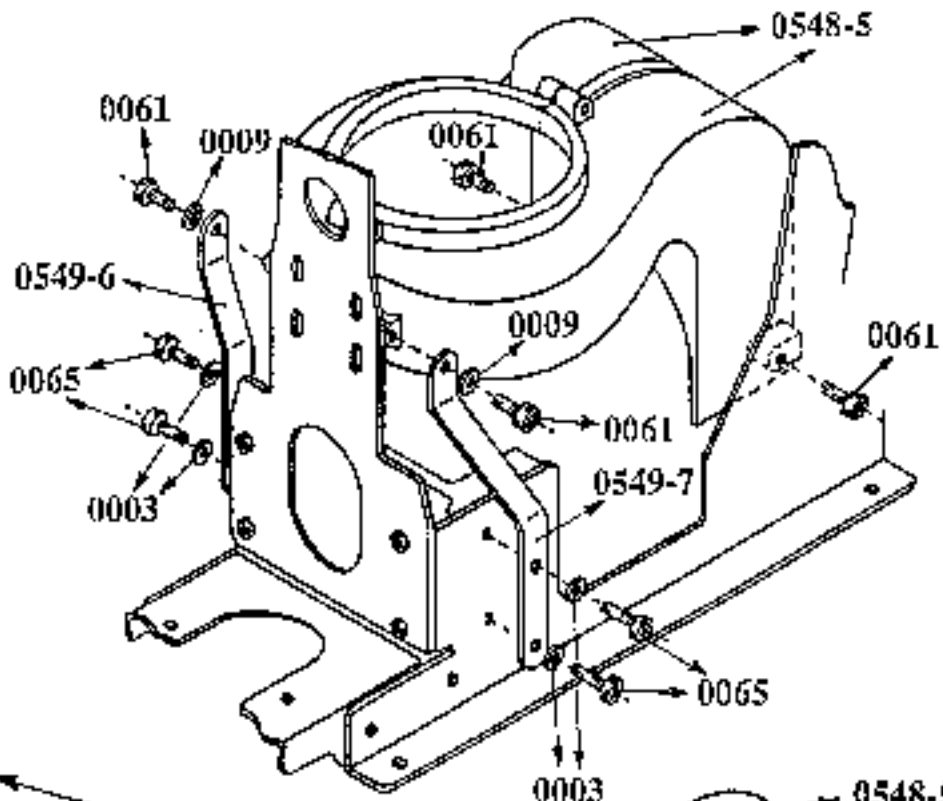












Optional Carburetor Relief Area

